

GX 31

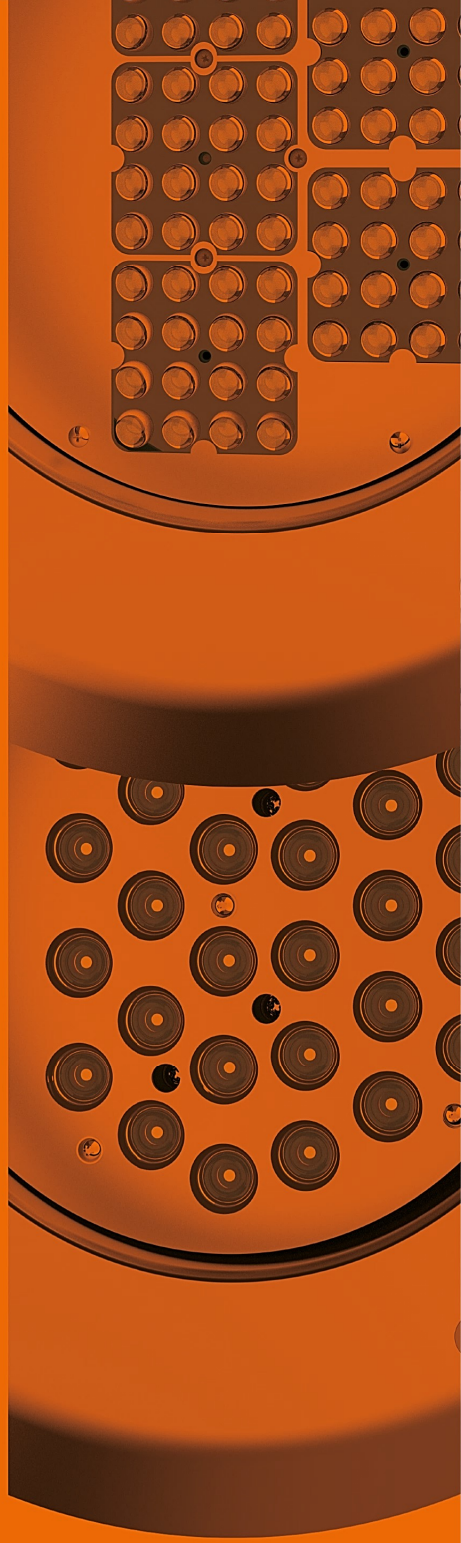
Derak Recessed Mounted Spot Light

With their contemporary and sleek design and remarkable features, the Derak series inground recessed LED lights enhance the visual appeal of any outdoor space. From residential landscapes and gardens to commercial complexes, parks, and architectural projects, these lights seamlessly blend into any environment and find application in various settings.

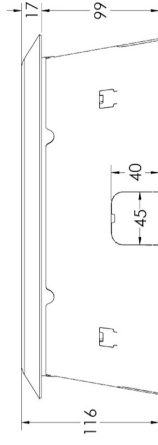
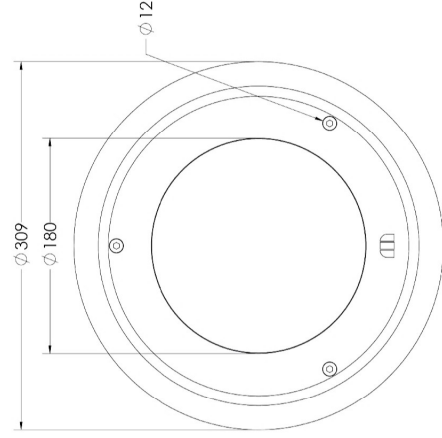


- Crafted using world-class, approved quality components
- Stainless steel body and housing to increase resistance to adverse environmental conditions
- Polycarbonate diffuser, highly resistant to mechanical damage
- Temperature-resistant silicone gasket
- Equipped with a nickel-plated brass cable gland boosted by Pro Anti-leak™ solution
- Exceptional light intensity while consuming minimal energy leading to high luminous efficiency
- High-performance LEDs with a broad spectrum of rich colors
- Features custom beam angles and color changing capability
- Over-temperature protection to ensure safe and reliable operation
- Cost-effective due to a long lifetime and low maintenance costs
- Eco-friendly, considering low carbon emissions and radiated heat





Dimension(mm)



Specification

Model	GX3180 (73 watt)	GX3130 (24 watt)
Material	Stainless Steel 304 L / 316 L	
Finishing(standard)	Polished	
Installation	Recessed Mounted	
Optic	Polycarbonate / Tempered Clear Glass	
IP Rating	IP67	
IK Rating	IK09 (IK07 for Temp. Glass)	
Cable	5x0.5 mm ² NYMHY	3x1mm ² NYMHY
Life Span(L70 B10)	24,000 hrs	
Beam Angles	15°, 30°, 60°, 90°	
CCT / Color	RGBW	Amber, 1800K, 2000K 3000K, 6500K
Luminous Flux	---	2450 Lm (All On)
LED Efficacy	Up to 120Lm/W	
LED Qty.	80	30
Practical LED Power	55 W	21 W
Power Consumption	41 W (All On)	24 W
Continuous Allowable Power Rating	26 W	24 W
Nominal Voltage	36 VDC	220 VAC
Nominal Line Current	4x0.38 A	0.3 A
Insulation	CLASS III	CLASS I
Control System	PWM	---
Protection	Over Temperature Protection - Over Current Protection	
Opere. Ambient Temp.	-10 °C to +40 °C	
Size (Rx H)	308 x 158 mm	
Weight (Kg)	3.6 Kg	